

POWER YOUR FUTURE

**Weichai Generator
LG1400WP**

16M33D1680E310

Prime Power: 1400KW/1750KVA

Standby Power: 1540KW/1925KVA



GENERATING POWER SOLUTIONS

Increased availability for new operations

Reliable, robust and versatile generator.
Ready to deliver power for a next job.

Increased uptime during operations

Once installed on the end-user-site, the generator will be ready to run: "peace of mind" operation.

Reduced transport and installation costs

The compact and robust design with integrated transport features enables faster and safer transport and installation.

Reduced service & maintenance costs

Longer service intervals.
Quicker and more efficient service jobs.

Premium resale value

Designed and built to last.

SAFETY

- Operate safely in accordance with proper operation manual.
- To prevent trouble and accidents, perform daily and preventive maintenance checks without fail.

Weichai Baudouin Series

500KVA--42000KVA



FUAN LONGKAI POWER CO.,LTD.

Headquarters:

Add: Wei 5 Road, Tiehu Industrial Zone, Fuan, Fujian, China

Tel: +86-0593-6309773 Fax: +86-0593-6586988

E-mail: sales@longkaipower.com

Web: www.longkaipower.com

Technical Data

LG1400WP

Model	LG1400WP	
Rated prime power	kva	1750
Rated standard power	kva	1925
Rated voltage line to line	V	400/230
Rated current	A	1526
Maximun sound level	dB(@7m)	≤102

Engine-Weichai

Model	16M33D1680E310	
Aspiration	Turbocharging and intercooling	
Fuel system	Electronically controlled high pressure common rail	
No. cylinders	V 16	
Displacement	Liquid	52.3
Bore*Stroke	mm	150*185
Compression ratio	15:01	
Rated speed	r/min	1500
Rated net power(with fan)	Kw	1530
Governor type	EFC Electrical	
Start Motor	V	24

Exhaust System

Exhaust gas flow	L/s	7852
Exhaust gas temp	°C	550
Max back pressure	kPa	7.5

Aspiration System

Max inlet pressure	kPa	≤3
Allow intake resistance	kPa	/
Air flow	L/s	7548

Fuel System

100% load(Prime power)	L/h	317.4
75% load(Prime power)	L/h	/
50% load(Prime power)	L/h	/
Fuel tank capacity	L	3000
		(External Fuel Tank)

Lubrication System

Oil capacity	L	114
Oil consumption	g/kwh	0.3
Oil pressure	kPa	400-650
		(continuous operation)

Cooling System

Coolant capacity	L	100
Thermostat operation range	°C	80-92
Max water temperature	°C	103

Alternator

Model	LONGKAI	LK734D
	STAMFORD	S7L1D-D4
Phase	3	
Voltage	V	400/230
Wiring Type	3 Phase 4 wire, Y type	
Bearing	1	
Power factor	0.8	
Frequency	Hz	50
Prime power	KW	1320
Exciter Type	Brushless, self-excitation	
Voltage regulation	%	±0.5
Protection Grade	IP 23	
Insulation grade	H/H	
Altitude	m	≤1000

Controller-DEESEA

Model	DSE6120MK3
-------	------------

Protective functions:

- Low oil pressure
- High water temperature
- High/low voltage
- High Engine Temperature and Overspeed.
- Voltage regulator frequency regulator
- Emergency stop
- Start failure



Control Module Options



- Auto generator control module
- Control module with " Three Remote Control" functions
- ATS auto load transfer screen
- Synchronising control modules
- Power output cabinet

Standard Features

- Engine(Weichai Baudouin)
- Radiator 50°C max,fans are driven by bel
- 24V charge alternator
- Alternator: single bearing alternator IP23, insulation class H/H
- Standard auto control system
- One set of air filter, fuel filter, oil filter
- Main line circuit breaker/MCCB
- Base fuel tank
- Two 24V batteries, rac and cable
- Exhaust system(Ripple flex exhaust pipe, exhaust siphon, flange, muffler)
- User manual

Options

- Battery charge
- Engine heater
- Alternator heater
- PMG
- Water oil separator
- Daily fuel tank
- Remote control panel
- Automatic transfer switch/ATS
- Switch box
- Standard: ● Options:○

Warranty*

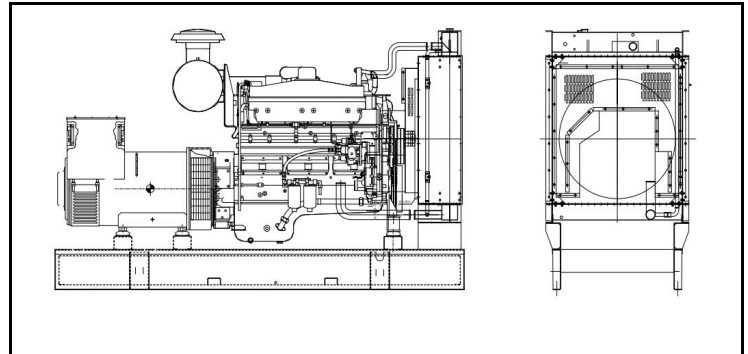
Weichai Engine

12 months from date of purchase and 1000 hours.

Generator

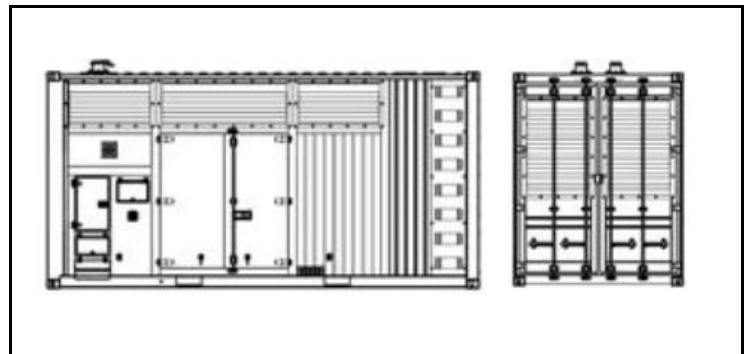
12 months from date of purchase or 1000 hours (whichever occurs first).

Unit Dimensions(Basic unit)



Open Type

L*W*H	mm	5400*2250*2500
Weight	kg	



Silent Type(Standard 20'ft container)

L*W*H	mm	40HQ
Weight	kg	