

POWER YOUR FUTURE

**SDEC Generator
LG150SD**

6HTAA6.5-G23

Prime Power: 150KW/187.5KVA

Standby Power: 165KW/206.25KVA



GENERATING POWER SOLUTIONS

Increased availability for new operations

Reliable, robust and versatile generator.
Ready to deliver power for a next job.

Increased uptime during operations

Once installed on the end-user-site, the generator will be ready to run: "peace of mind" operation.

Reduced transport and installation costs

The compact and robust design with integrated transport features enables faster and safer transport and installation.

Reduced service & maintenance costs

Longer service intervals.
Quicker and more efficient service jobs.

Premium resale value

Designed and built to last.

SAFETY

- Operate safely in accordance with proper operation manual.
- To prevent trouble and accidents, perform daily and preventive maintenance checks without fail.

SDEC Series

50KVA--1100KVA



FUAN LONGKAI POWER CO.,LTD.

Headquarters:

Add: Wei 5 Road, Tiehu Industrial Zone, Fuan, Fujian, China

Tel: +86-0593-6309773 Fax: +86-0593-6586988

E-mail: sales@longkaipower.com

Web: www.longkaipower.com

Technical Data

Model		LG150SD
Rated prime power	kva	187.5
Rated standard power	kva	206.25
Rated voltage line to line	V	400/230
Rated current	A	271
Maximun sound level	dB(@7m)	96

Engine-SDEC

Model		6HTAA6.5-G23
Aspiration		<small>Inline, four strokes, four valves, water cooled, pressurized and intermediate cooled</small>
Fuel system		"P" type
No. cylinders		6 in line
Displacement	Liquid	6.5
Bore*Stroke	mm	105*124
Compression ratio		16:1
Rated speed	r/min	1500
Rated net power(with fan)	Kw	168
Governor type		E
Start Motor	V	24V×6kW

Exhaust System

Exhaust gas flow	m ³ /min	28.1
Exhaust gas temp	°C	600
Max back pressure	kPa	6

Aspiration System

Max inlet pressure	kPa	6
Air flow	m ³ /min	11.9
Fan consumption	KW	6

Fuel System

100% load(Prime power)	L/h	39.7
75% load(Prime power)	L/h	29.5
50% load(Prime power)	L/h	20.5
Fuel tank capacity	L	480

Lubrication System

Oil capacity	L	17.5
Oil consumption	g/kwh	≤4
Lub. Method		/
		(continuous operation)

Cooling System

Coolant capacity	L	9.6
Thermostat operation range	°C	82-95
Max water temperature	°C	104

Alternator LG150SD

Model	LONGKAI	LK274G
	STAMFORD	UCI274G
Phase		3
Voltage	V	400/230
Wiring Type		3 Phase 4 wire, Y type
Bearing		1
Power factor		0.8
Frequency	Hz	50
Prime power	KW	145.6
Exciter Type		Brushless, self-excitation
Voltage regulation	%	±0.5
Protection Grade		IP 23
Insulation grade		H/H
Altitude	m	≤1000

Controller-DEEPSEA

Model	DSE6120MK3
-------	------------

Protective functions:

- Low oil pressure
- High water temperature
- High/low voltage
- High Engine Temperature and Overspeed.
- Voltage regulator frequency regulator
- Emergency stop
- Start failure



Control Module Options



- Auto generator control module
- Control module with "Three Remote Control" functions
- ATS auto load transfer screen
- Synchronising control modules
- Power output cabinet

Standard Features

- Engine(SDEC)
- Radiator 50°C max,fans are driven by bel
- 24V charge alternator
- Alternator: single bearing alternator IP23, insulation class H/H
- Standard auto control system
- One set of air filter, fuel filter, oil filter
- Main line circuit breaker/MCCB
- Base fuel tank
- Two 24V batteries, rac and cable
- Exhaust system(Ripple flex exhaust pipe, exhaust siphon, flange, muffler)
- User manual

Options

- Battery charge
- Engine heater
- Alternator heater
- PMG
- Water oil separator
- Daily fuel tank
- Remote control panel
- Automatic transfer switch/ATS
- Switch box
- Standard: ● Options:○

Warranty*

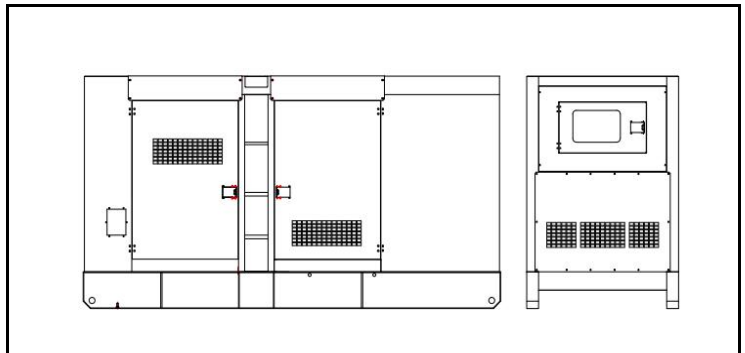
SDEC Engine

24 months from date of purchase and 3000 hours.

Generator

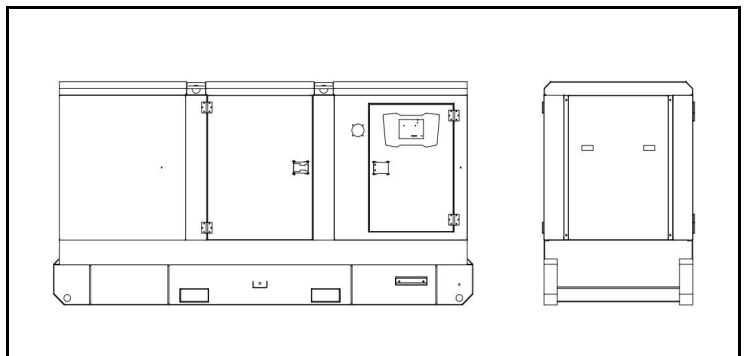
12 months from date of purchase or 1000 hours (whichever occurs first).

Unit Dimensions(Basic unit)



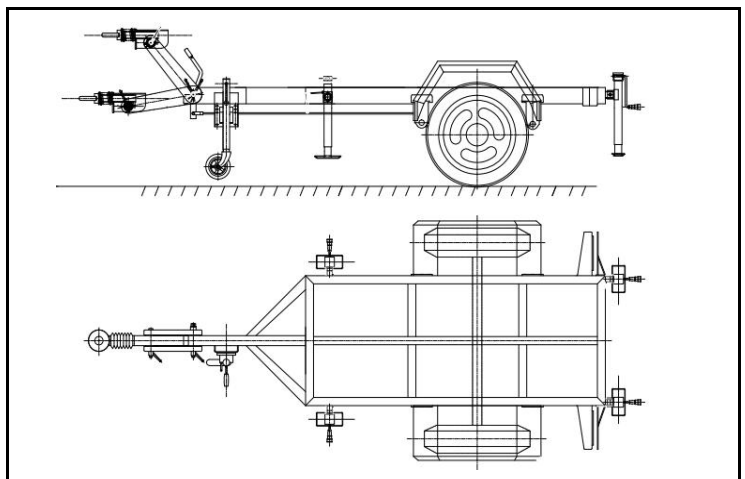
Denyo Silent Type

L*W*H	mm	2650*1000*1600
Weight	kg	2200



Atlas Silent Type

L*W*H	mm	3588*1180*2150
Weight	kg	2300



Trailer Option

L*W*H	mm	4600*2000*950
Max loading weight	kg	2580