

POWER YOUR FUTURE

Cummins Generator LG200C

MTA11-G2

Prime Power: 200KW/250KVA

Standby Power: 220KW/275KVA



GENERATING POWER SOLUTIONS

Increased availability for new operations

Reliable, robust and versatile generator.
Ready to deliver power for a next job.

Increased uptime during operations

Once installed on the end-user-site, the generator will be ready to run: "peace of mind" operation.

Reduced transport and installation costs

The compact and robust design with integrated transport features enables faster and safer transport and installation.

Reduced service & maintenance costs

Longer service intervals.
Quicker and more efficient service jobs.

Premium resale value

Designed and built to last.

SAFETY

- Operate safely in accordance with proper operation manual.
- To prevent trouble and accidents, perform daily and preventive maintenance checks without fail.

Cummins Series

25KVA--2000KVA



LONGKAI

FUAN LONGKAI POWER CO.,LTD.

Headquarters:

Add: Wei 5 Road, Tiehu Industrial Zone, Fuan, Fujian, China

Tel: +86-0593-6309773 Fax: +86-0593-6586988

E-mail: sales@longkaipower.com

Web: www.longkaipower.com

Technical Data

LG200C

Model		LG200C
Rated prime power	kva	250
Rated standard power	kva	275
Rated voltage line to line	V	400/230
Rated current	A	361
Maximun sound level	dB(@7m)	≤100

Engine-DCEC Cummins		
Model	MTA11-G2	
Aspiration	Six cylinders, four strokes, in line, water cooled	
Fuel system	PT-STC	
No. cylinders	6 in line	
Displacement	Liquid	10.8
Bore*Stroke	mm	125*147
Compression ratio	16.1: 1	
Rated speed	r/min	1500
Rated net power(with fan)	Kw	224
Governor type	Electrical	
Start Motor	V	24

Exhaust System		
Exhaust gas flow	m ³ /min	510
Exhaust gas temp	°C	510
Max back pressure	kPa	10

Aspiration System		
Max inlet pressure	kPa	100
Combustion volume	m ³ /min	/
Air flow	m ³ /min	263

Fuel System		
100% load(Prime power)	L/h	43.9
75% load(Prime power)	L/h	33.9
50% load(Prime power)	L/h	24.1
Fuel tank capacity	L	520

Lubrication System		
Oil capacity	L	36.7
Oil consumption	g/kwh	0.24
Oil pressure	kPa	207-276
(continuous operation)		

Cooling System		
Coolant capacity	L	12.9
Thermostat operation range	°C	82-93
Max water temperature	°C	100

Alternator		
Model	LONGKAI	LK274K
	STAMFORD	UCI274K-S4L1D-C41/S4L1S-C4
Phase	3	
Voltage	V	400/230
Wiring Type	3 Phase 4 wire, Y type	
Bearing	1	
Power factor	0.8	
Frequency	Hz	50
Prime power	KW	200
Exciter Type	Brushless, self-excitation	
Voltage regulation	%	±0.5
Protection Grade	IP 23	
Insulation grade	H/H	
Altitude	m	≤1000

Controller-DEESEA	
Model	DSE6120MK3
Protective functions:	<ul style="list-style-type: none"> ■ Low oil pressure ■ High water temperature ■ High/low voltage ■ High Engine Temperature and Overspeed. ■ Voltage regulator frequency regulator ■ Emergency stop ■ Start failure



Control Module Options



- Auto generator control module
- Control module with " Three Remote Control " functions
- ATS auto load transfer screen
- Synchronising control modules
- Power output cabinet

Standard Features

- Engine(DCEC Cummins)
- Radiator 50°C max,fans are driven by bel
- 24V charge alternator
- Alternator: single bearing alternator IP23, insulation class H/H
- Standard auto control system
- One set of air filter, fuel filter, oil filter
- Main line circuit breaker/MCCB
- Base fuel tank
- Two 24V batteries, rac and cable
- Exhaust system(Ripple flex exhaust pipe, exhaust siphon, flange, muffler)
- User manual

Options

- Battery charge
- Engine heater
- Alternator heater
- PMG
- Water oil separator
- Daily fuel tank
- Remote control panel
- Automatic transfer switch/ATS
- Switch box
- Standard: ● Options:○

Warranty*

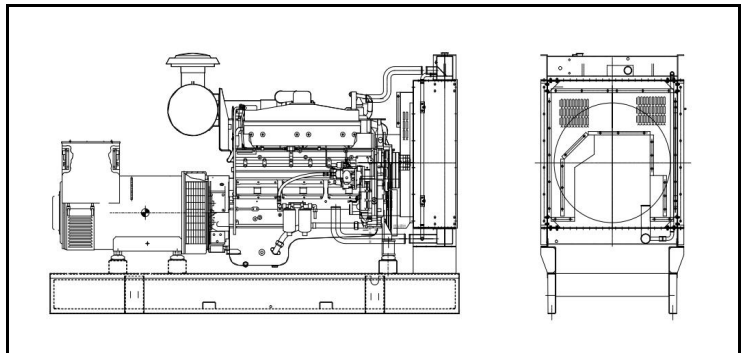
Cummins Engine

12 months from date of purchase and 1000 hours.

Generator

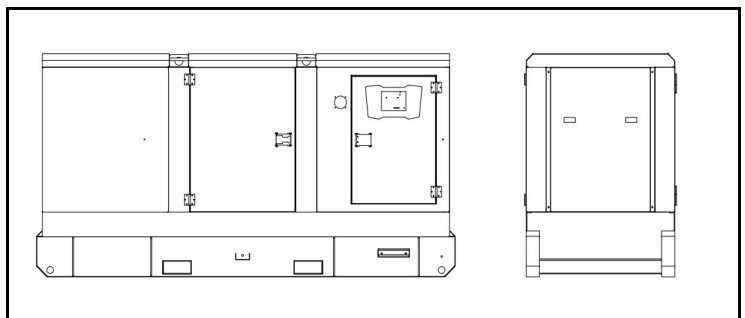
12 months from date of purchase or 1000 hours (whichever occurs first).

Unit Dimensions(Basic unit)



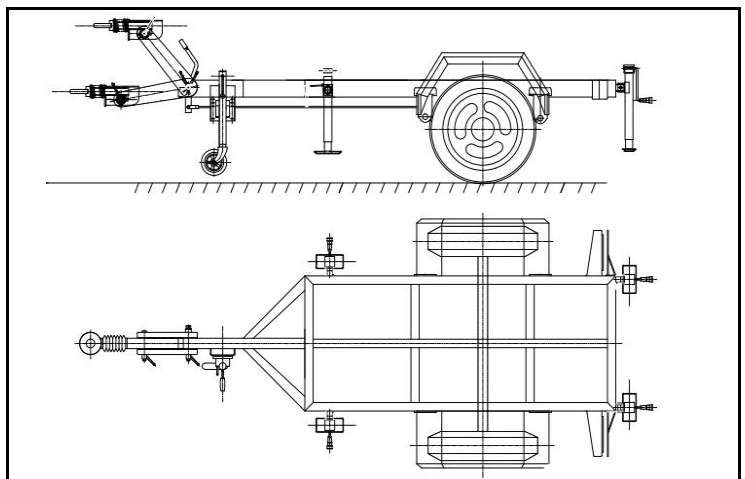
Open Type

L*W*H	mm	3000*1140*1850
Weight	kg	3350



Silent Type

L*W*H	mm	3988*1400*2250
Weight	kg	4900



Trailer Option

L*W*H	mm	4900*2100*950
Max loading Weight	kg	3300