

**POWER YOUR FUTURE**

**Weichai Generator  
LG550WP**

**6M33D670E200**

**Prime Power: 540KW/675KVA**

**Standby Power: 594KW/742.5KVA**



## **GENERATING POWER SOLUTIONS**

### **Increased availability for new operations**

Reliable, robust and versatile generator.  
Ready to deliver power for a next job.

### **Increased uptime during operations**

Once installed on the end-user-site, the generator will be ready to run: "peace of mind" operation.

### **Reduced transport and installation costs**

The compact and robust design with integrated transport features enables faster and safer transport and installation.

### **Reduced service & maintenance costs**

Longer service intervals.  
Quicker and more efficient service jobs.

### **Premium resale value**

Designed and built to last.

#### **SAFETY**

- Operate safely in accordance with proper operation manual.
- To prevent trouble and accidents, perform daily and preventive maintenance checks without fail.

**Weichai Baudouin Series**

**500KVA--42000KVA**



**FUAN LONGKAI POWER CO.,LTD.**

#### **Headquarters:**

Add: Wei 5 Road, Tiehu Industrial Zone, Fuan, Fujian, China

Tel: +86-0593-6309773 Fax: +86-0593-6586988

E-mail: sales@longkaipower.com

Web: www.longkaipower.com

## Technical Data

LG550WP

Model		LG550WP
Rated prime power	kva	675
Rated standard power	kva	742.5
Rated voltage line to line	V	400/230
Rated current	A	794
Maximun sound level	dB(@7m)	≤100

### Engine-Weichai

Model	6M33D670E200	
Aspiration	Turbocharging and intercooling	
Fuel system	Mechanical Pump+Electronic Speed Governor	
No. cylinders	6 in line	
Displacement	Liquid	19.6
Bore*Stroke	mm	150*185
Compression ratio	15:01	
Rated speed	r/min	1500
Max power(with fan)	Kw	610
Governor type	EFC Electrical	
Start Motor	V	24

### Exhaust System

Exhaust gas flow	kg/h	4021.9
Exhaust gas temp	°C	550
Max back pressure	kPa	7.5

### Aspiration System

Max inlet pressure	kPa	≤3
Allow intake resistance	kPa	/
Air flow	kg/h	3873.3

### Fuel System

100% load(Prime power)	L/h	134.3
75% load(Prime power)	L/h	/
50% load(Prime power)	L/h	/
Fuel tank capacity	L	1200

### Lubrication System

Oil capacity	L	61
Oil consumption	g/kwh	0.3
Oil pressure	kPa	400-650
(continuous operation)		

### Cooling System

Coolant capacity	L	43.93
Thermostat operation range	°C	80-92
Max water temperature	°C	95

### Alternator

Model	LONGKAI	LK544F
	STAMFORD	HC1544F-S5L1D-F4/S5L1S-F4
Phase	3	
Voltage	V	400/230
Wiring Type	3 Phase 4 wire, Y type	
Bearing	1	
Power factor	0.8	
Frequency	Hz	50
Prime power	KW	536
Exciter Type	Brushless, self-excitation	
Voltage regulation	%	±0.5
Protection Grade	IP 23	
Insulation grade	H/H	
Altitude	m	≤1000

### Controller-DEEPSEA

Model	DSE6120MK3
-------	------------

Protective functions:

- Low oil pressure
- High water temperature
- High/low voltage
- High Engine Temperature and Overspeed.
- Voltage regulator frequency regulator
- Emergency stop
- Start failure



### Control Module Options



- Auto generator control module
- Control module with "Three Remote Control" functions
- ATS auto load transfer screen
- Synchronising control modules
- Power output cabinet

### Standard Features

- Engine(Weichai Baudouin)
- Radiator 50°C max,fans are driven by bel
- 24V charge alternator
- Alternator: single bearing alternator IP23, insulation class H/H
- Standard auto control system
- One set of air filter, fuel filter, oil filter
- Main line circuit breaker/MCCB
- Base fuel tank
- Two 24V batteries, rac and cable
- Exhaust system(Ripple flex exhaust pipe, exhaust siphon, flange, muffler)
- User manual

### Options

- Battery charge
  - Engine heater
  - Alternator heater
  - PMG
  - Water oil separator
  - Daily fuel tank
  - Remote control panel
  - Automatic transfer switch/ATS
  - Switch box
- Standard: ●                      Options:○

### Warranty\*

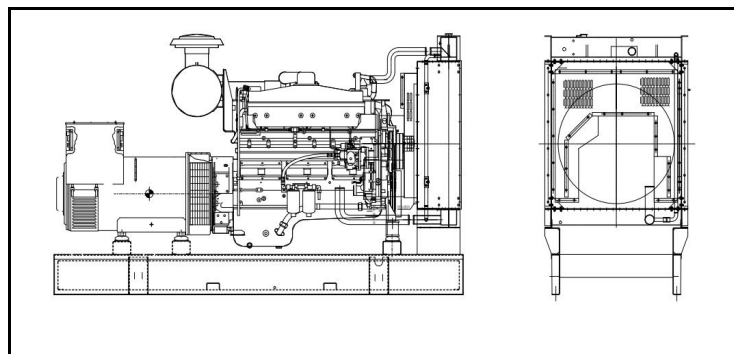
#### Weichai Engine

12 months from date of purchase and 1000 hours.

#### Generator

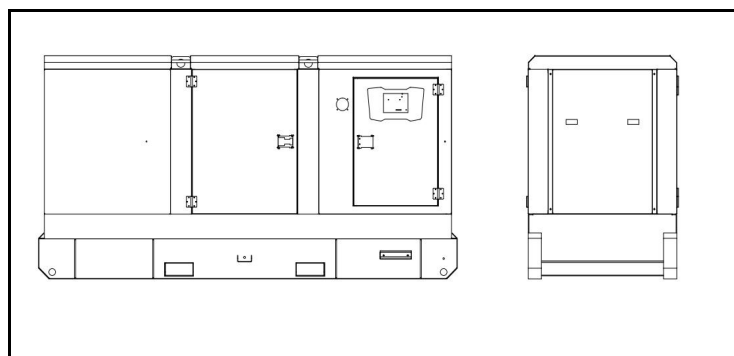
12 months from date of purchase or 1000 hours (whichever occurs first).

### Unit Dimensions(Basic unit)



#### Open Type

L*W*H	mm	3800*1600*2200
Weight	kg	4100



#### Silent Type

L*W*H	mm	5670*2070*2500
Weight	kg	5300