

POWER YOUR FUTURE

SDEC Generator
LG55SD

4HT4.3-G22

Prime Power: 55KW/68.75KVA

Standby Power: 60.5KW/75.63KVA



GENERATING POWER SOLUTIONS

Increased availability for new operations

Reliable, robust and versatile generator.
Ready to deliver power for a next job.

Increased uptime during operations

Once installed on the end-user-site, the generator will be ready to run: "peace of mind" operation.

Reduced transport and installation costs

The compact and robust design with integrated transport features enables faster and safer transport and installation.

Reduced service & maintenance costs

Longer service intervals.
Quicker and more efficient service jobs.

Premium resale value

Designed and built to last.

SAFETY

- Operate safely in accordance with proper operation manual.
- To prevent trouble and accidents, perform daily and preventive maintenance checks without fail.

SDEC Series

50KVA--1100KVA



FUAN LONGKAI POWER CO.,LTD.

Headquarters:

Add: Wei 5 Road, Tiehu Industrial Zone, Fuan, Fujian, China

Tel: +86-0593-6309773 Fax: +86-0593-6586988

E-mail: sales@longkaipower.com

Web: www.longkaipower.com

Technical Data

LG55SD

Model		LG55SD
Rated prime power	kva	68.75
Rated standard power	kva	75.63
Rated voltage line to line	V	400/230
Rated current	A	99
Maximun sound level	dB(@7m)	96

Engine-SDEC		
Model		4HT4.3-G22
Aspiration		Inline, four strokes, four valves, water cooled, pressurized
Fuel system		"AD" type
No. cylinders		4 in line
Displacement	Liquid	4.3
Bore*Stroke	mm	105*124
Compression ratio		17.3:1
Rated speed	r/min	1500
Rated net power(with fan)	Kw	67
Governor type		E
Start Motor	V	24V×4.5kW

Exhaust System		
Exhaust gas flow	m ³ /min	11.5
Exhaust gas temp	°C	600
Max back pressure	kPa	6

Aspiration System		
Max inlet pressure	kPa	6
Air flow	m ³ /min	4.8
Fan consumption	KW	2

Fuel System		
100% load(Prime power)	L/h	15.1
75% load(Prime power)	L/h	11.8
50% load(Prime power)	L/h	8.1
Fuel tank capacity	L	120

Lubrication System		
Oil capacity	L	13
Oil consumption	g/kwh	/
Lub. Method		/
(continuous operation)		

Cooling System		
Coolant capacity	L	6.8
Thermostat operation range	°C	82-95
Max water temperature	°C	104

Alternator		
Model	LONGKAI STAMFORD	LK224F UCI224F
Phase		3
Voltage	V	400/230
Wiring Type		3 Phase 4 wire, Y type
Bearing		1
Power factor		0.8
Frequency	Hz	50
Prime power	KW	58
Exciter Type		Brushless, self-excitation
Voltage regulation	%	±0.5
Protection Grade		IP 23
Insulation grade		H/H
Altitude	m	≤1000

Controller-DEESEA	
Model	DSE6120MK3

Protective functions:

- Low oil pressure
- High water temperature
- High/low voltage
- High Engine Temperature and Overspeed.
- Voltage regulator frequency regulator
- Emergency stop
- Start failure



Control Module Options



- Auto generator control module
- Control module with "Three Remote Control" functions
- ATS auto load transfer screen
- Synchronising control modules
- Power output cabinet

Standard Features

- Engine(SDEC)
- Radiator 50°C max, fans are driven by belt
- 24V charge alternator
- Alternator: single bearing alternator IP23, insulation class H/H
- Standard auto control system
- One set of air filter, fuel filter, oil filter
- Main line circuit breaker/MCCB
- Base fuel tank
- Two 24V batteries, rac and cable
- Exhaust system(Ripple flex exhaust pipe, exhaust siphon, flange, muffler)
- User manual

Options

- Battery charge
- Engine heater
- Alternator heater
- PMG
- Water oil separator
- Daily fuel tank
- Remote control panel
- Automatic transfer switch/ATS
- Switch box
- Standard: ● Options:○

Warranty*

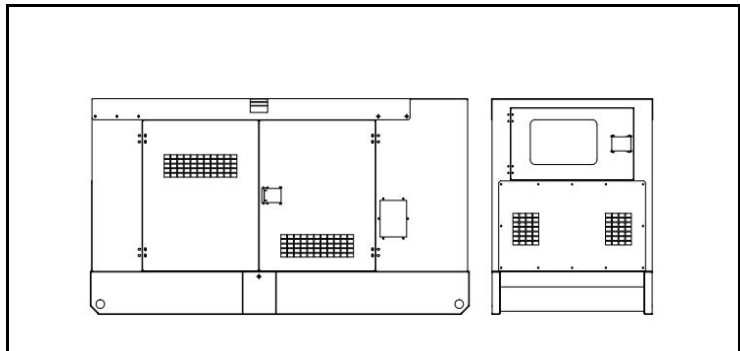
SDEC Engine

24 months from date of purchase and 3000 hours.

Generator

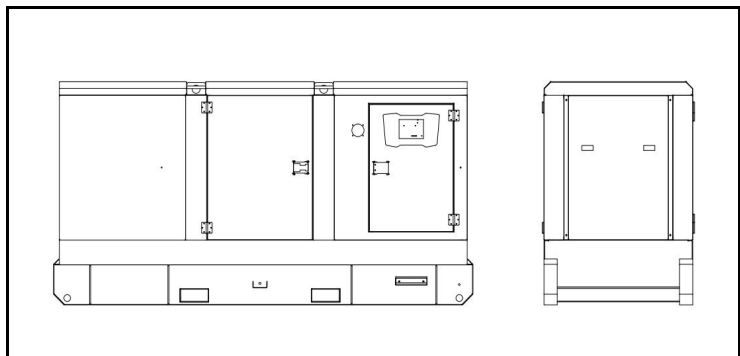
12 months from date of purchase or 1000 hours (whichever occurs first).

Unit Dimensions(Basic unit)



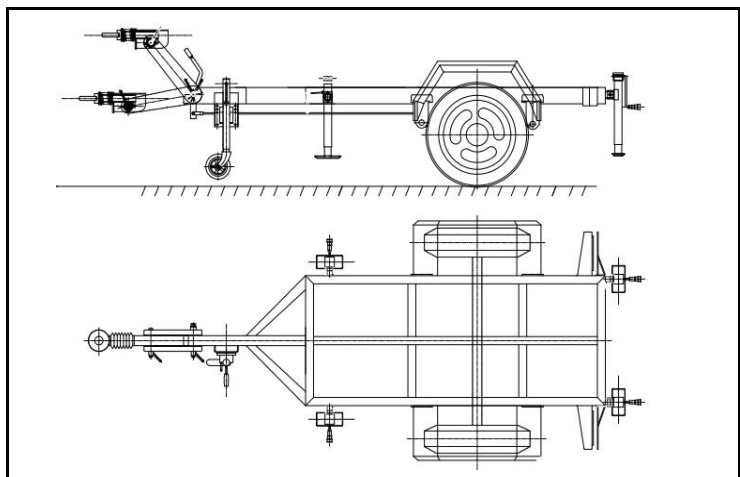
Denyo Silent Type

L*W*H	mm	1850*800*1180
Weight	kg	780



Atlas Silent Type

L*W*H	mm	2538*1000*1450
Weight	kg	1150



Trailer Option

L*W*H	mm	3400*1750*950
Max loading weight	kg	1300